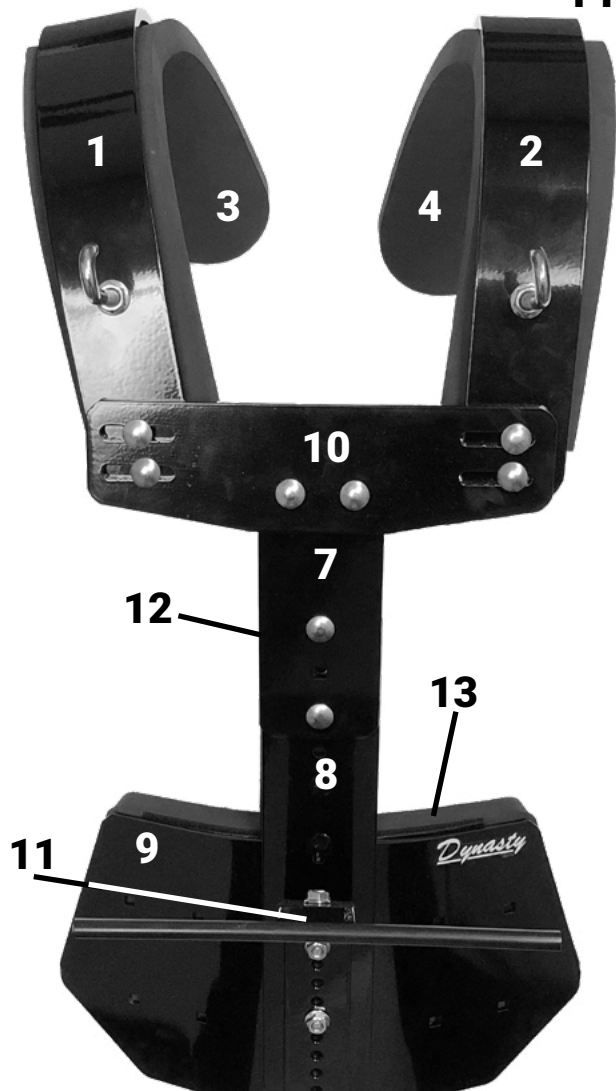








PRODUCT SPECS



CONTENTS

1	P600-0050B	Arm Hook R
2	P600-0051B	Arm Hook L
3-4	P600-0066	Arm Hook Foam Padding Set (R & L)
5		4 pc. Arm Hook Velcro (a & b)
6		3 pc. Belly Plate Velcro (a & b)
7	P600-0045B	Bar Bottom
8	P600-0047B	Bass Tongue
9	P600-0048B	Belly Plate
10	P600-0044B	Bar Top
11	P23-MTBR	Bass Support Bar (a & b)
12	P600-0009	Bar Bottom/Tongue Foam Padding
13	P600-0017	Belly Plate Foam Padding
14		Bass Tongue Velcro
15	P600-0022K	J-Hook Assembly Pack x 2:
		2 ct. 5/16" J-Hooks
		4 ct. 5/16" Serrated Flange Lock Nuts
16	P900-TMF	Frame Hardware Pack:
		10 ct. 1/4" x 3/4" Carriage Bolts
		4 ct. 1/4" x 1" Carriage Bolts
		2 ct. 1/3" x 1 1/4" Carriage Bolts
		14 ct. 1/4" Serrated Flange Lock Nuts

5a

5b

6a

6b

14a & b

YOU WILL NEED:

1 ct. 7/16" Wrench
1 ct. Scissors

Please follow assembly instructions carefully to ensure optimal product performance.

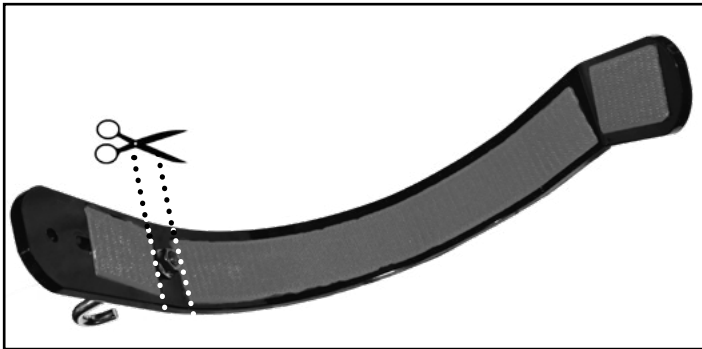
Questions? Contact us at info@dynastyband.com or 1.800.558.9416.

ASSEMBLY INSTRUCTIONS

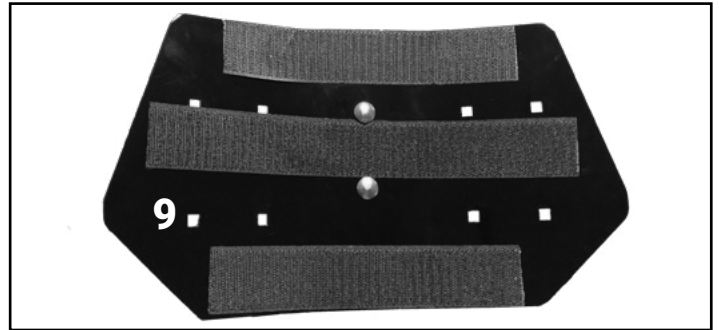
1
 Install J-Hooks on Arm Hooks (1 and 2) using 2 5/16" lock nuts per J-Hook, as shown.



2
 Install velcro on Arm Hooks (1& 2) as shown. Use scissors to cut out a section of velcro 5a around bolt as shown.



3
 Install Belly Plate Velcro (6) on Belly Plate (9).

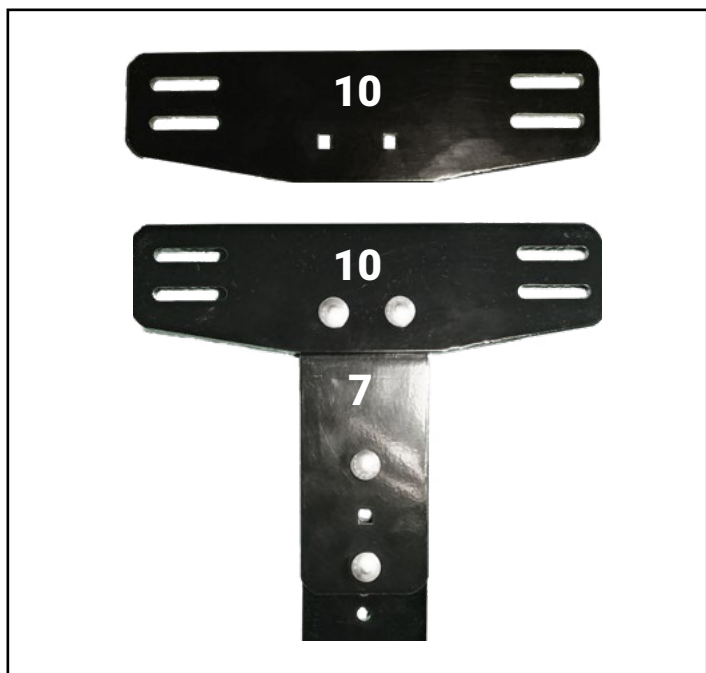


4
 Attach Bar Bottom (7) to Bass Tongue (8) using 2 1/4" x 1" carriage bolts, and 2 1/4" lock nuts, as shown.

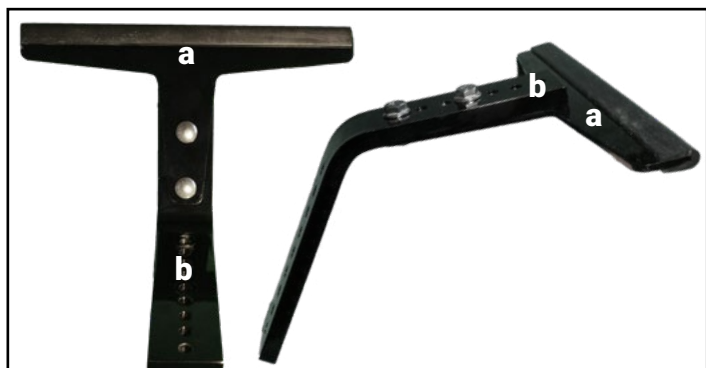


ASSEMBLY INSTRUCTIONS

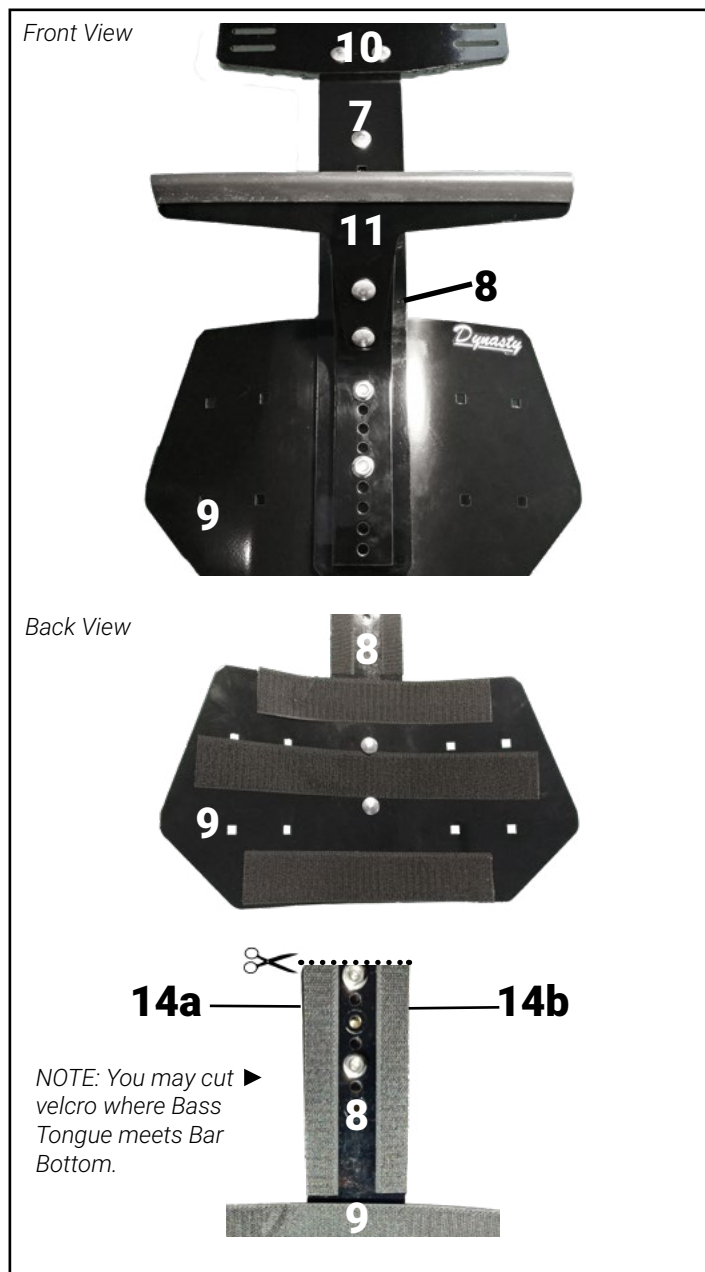
5
Attach Bar Top (10) to Bar Bottom (7) using 2 1/4" x 3/4" carriage bolts and 2 1/4" lock nuts.



6
Assemble Bass Support Bar (11) using 2 1/4" x 3/4" carriage bolts and 2 1/4" lock nuts.

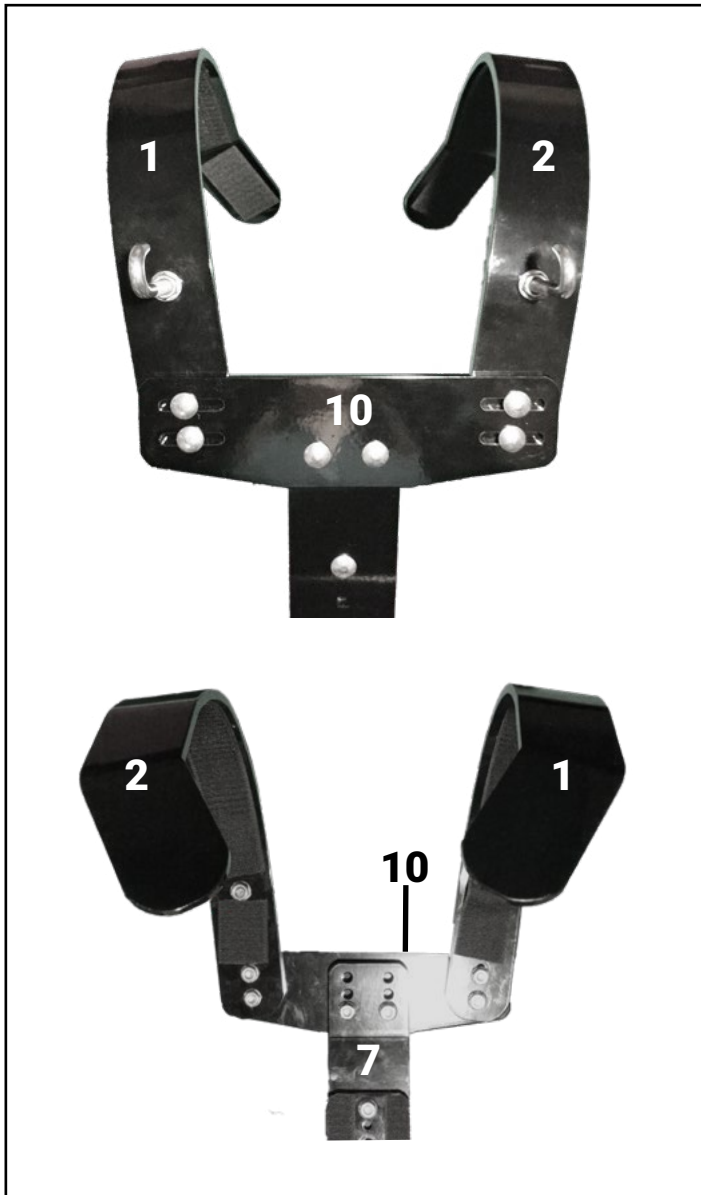


7
Stack parts 8, 9, and 11 as shown, with part 11 on top, part 8 in middle, and part 9 on bottom. Attach using 2 1/4" x 1 1/4" carriage bolts and 2 1/4" lock nuts. Affix Bass Tongue Velcro (14a & b).

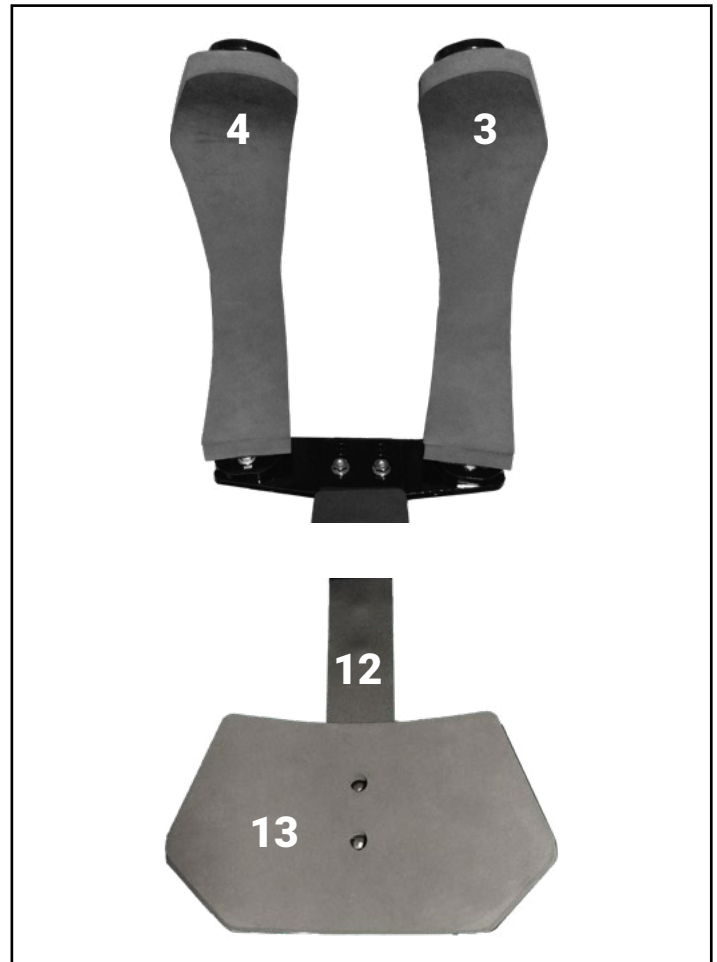


ASSEMBLY INSTRUCTIONS

8
Attach Arm Hooks (1 & 2) to Bar Top (10) using 4 1/4" x 3/4" carriage bolts and 4 1/4" lock nuts, as shown.



7
Attach Foam Pads (3 & 4) to Arm Hooks (1 & 2), Bar Bottom/Tongue (12), and Belly Plate (13).



Questions? We can help!

Contact us at:

1.800.558.9416 or info@dynastyband.com