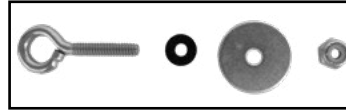


## CONTENTS



P23-BTHR  
**Traditional Marching  
Tenor Drum Strap Harness**



P23-TCMEBK  
**Eye Bolt Kit (2 of Each Piece)**



P300-0019C  
**4 ct. Tom Casing with  
Thru Hole, Chrome**



P23-TCM-1  
**Tenor Chest Mount Part Set**



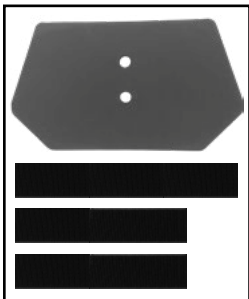
P300-0031  
**4 ct. M10x16mm Socket  
Head Cap Screw**



P600-0048B  
**Belly Plate**



P900-0015  
**6 ct. 1/4\"-20 Hex Serrated  
Flange Lock Nut**



P600-0017  
**Belly Pad with Velcro**



P900-0017  
**2 ct. 1/4\"-20x3/4\"  
Carriage Bolt**

### YOU WILL NEED:

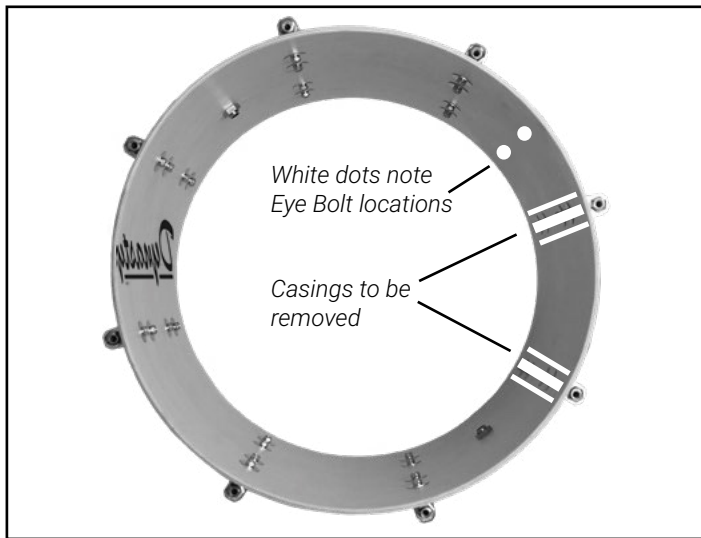
7/16" Wrench  
5/16" Wrench or Philips head Screw Driver  
8mm Allen Wrench  
Drill with 3/16" Bit

*Please follow assembly instructions carefully to ensure optimal product performance.*

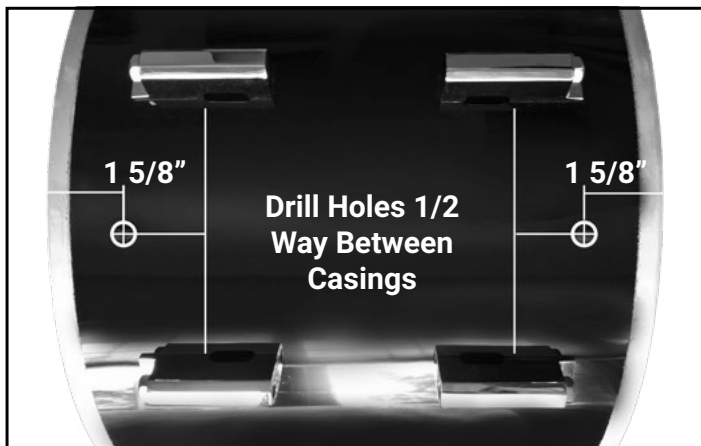
*Questions? Contact us at [info@dynastyband.com](mailto:info@dynastyband.com) or 1.800.558.9416.*

## ASSEMBLY INSTRUCTIONS

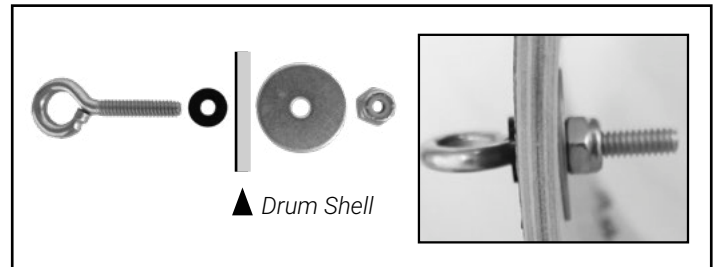
- 1**  
Remove drum heads and hoops. Note that logo is shown on inside of shell for reference. Casings to be removed are opposite logo.



- 2**  
Drill Eye Bolt holes with 3/16" bit. Eye Bolts should be installed above casings to be removed with logo facing up, as shown above. Drill holes 1 5/8" inside the bearing edge, halfway between casing sets, as shown below.

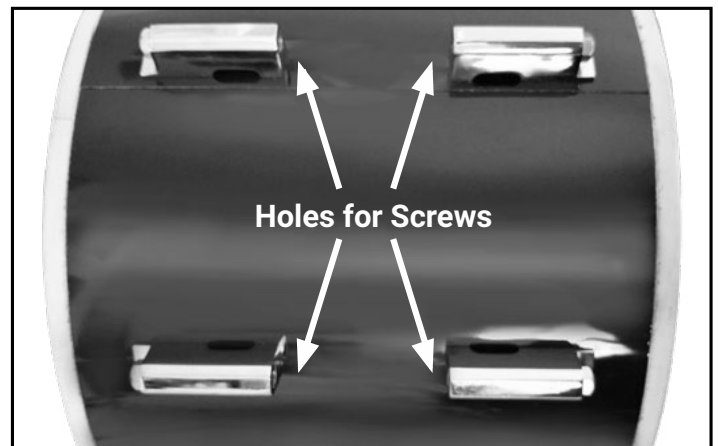


- 3**  
Install Eye Bolts with screw inside the drum and eye on the outside.



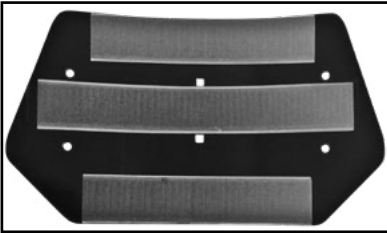
- 4**  
Remove 4 casings directly opposite from the Dynasty logo on the drum at location shown at left.

- 5**  
Install Tom Casings with Thru Hole in place of the 4 removed casings with holes for screws facing inward, as shown below.

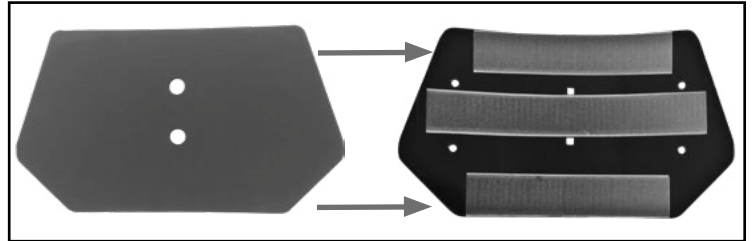


## ASSEMBLY INSTRUCTIONS Cont.

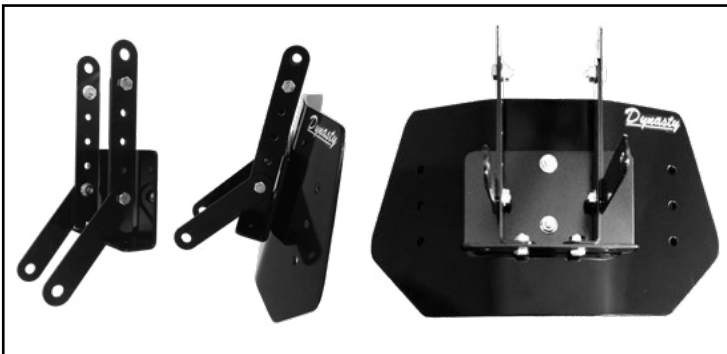
**6**  
Install velcro on Belly Plate.



**9**  
Install Belly Pad onto Belly Plate.



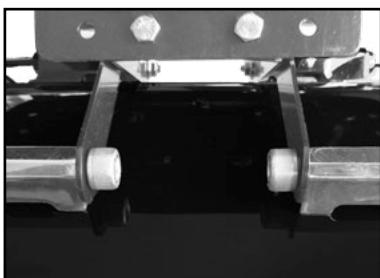
**7**  
Install Chest Mount Part Set onto Belly Plate using two Carriage Bolts and Serrated Flange Lock Nuts. Position bolt heads on player side of Belly Plate.



**10**  
Re-install drum heads and hoops. Attach strap harness to Eye Bolts.



**8**  
Attach Belly Plate assembly to the drum. Use 8mm Allen wrench to screw 4 Cap Screws into Tom Casings with Thru Hole. Eye Bolts must sit above Belly Plate.



**Questions? We can help!**

Contact us at:

1.800.558.9416 or [info@dynastyband.com](mailto:info@dynastyband.com)